

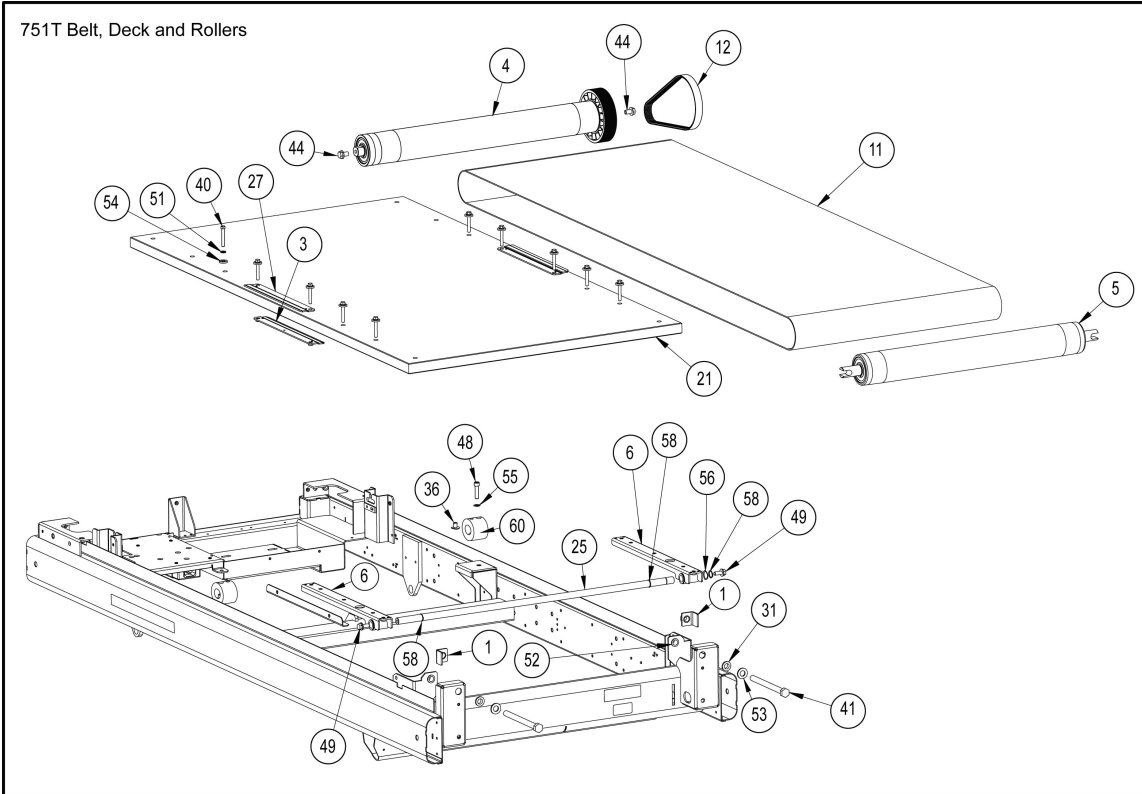


7/16/2013

## Part Diagrams

Product Line: Treadmills

Product: 751T: 750T



Bulb #	Part Number	Name	Description	Notes	Price
1	<b>AF-19988</b>	NUT,ROLLER,REAR FRONT,7XXT			
3	AF-20206	CLAMP, LOWER, TOP STEP			
4	<b>AL-19740</b>	ROLLER ASSY, FRONT			
5	<b>AL-19741</b>	ROLLER ASSY, REAR			
6	<b>AX-20035</b>	Assembly, Deck Pivot Bracket			
11	<b>BD-19889</b>	BELT, RUNNING, 21.88 X 61.75			
12	<b>BD-20049</b>	BELT, DRIVE			
21	<b>DK-20024</b>	DECK, RUNNING, 29.00 X 53.5			
25	FM-20099	MOUNTING SHAFT, ELEVATION MOTOR			
27	FS-20031	PLATE, RETAINER, UPPER, TOP STEP			
31	<b>HB-16367</b>	BUSHING .50IDX.62ODX.31LG,FLANGED			
36	<b>HN-20041</b>	NUT,1-4-20 PROPELLER .305 OD			
40	<b>HS-12295</b>	BOLT, 1/4 - 20 X 1.75", HXHD, G5			
41	<b>HS-15480</b>	BOLT TAP,1-2-13X6,HXHD,G5			

44	<b>HS-16929</b>	BOLT WHIZ LCK,3-8-16X.625,HXHD,G5			
47	<b>HS-17937</b>	BOLT,3-8-24X2.75,HXHD CAP,G8,YEL ZN			
48	<b>HS-18358</b>	BOLT,5-16-18X.1.25,SCHD CAP,BLK Z			
49	<b>HS-19108</b>	SCREW 5-16-18X3-4LG,HXHD,WHIZ-LOC			
51	<b>HW-00180</b>	WSHR LOCK SPLIT 1-4,SST,BLK PASSI			
52	<b>HW-00590</b>	BUSHING,NYLON,1-2 IN			
53	<b>HW-10028</b>	WSHR B 1-2 NARROW ZINC			
54	<b>HW-18123</b>	WSHR,.344IDX.75 ODX.125THK,HARDEN			
55	<b>HW-20044</b>	WSHR,BELLEVILLE,15X8.2X1.0MM,.5MM			
56	HW-20089	WASHER, WAVE, .650 ID X .855			
58	<b>HX-13771</b>	RING,RETAIN,5-8" .579 FR.ID			
60	<b>HX-19991</b>	BUMPER,SPRING DECK,2.10X2.34X1.55			